

# DATA SHEET

## TRS830P/5

Description: **TR.S 110V 50/60Hz 3,8/3A 1x8kV 30mA 25% C.440 VIRA**

### GENERAL CHARACTERISTICS

The ignition transformer is CE marked, It undergo to the European low voltage directives 2006/95/CE and in particular the directives EN61558-2-3:2011-04 and EN60730-2-5:2002; it is made in compliance with the electromagnetic compliance 2004/108/CE and the directive EN61000-3-2:2006/A2:2009 and EN61000-3-3:2008. By using the advised accessories the transformer is compliant with the prescription of the generic standard EN 55014-1:2006/A1:2009 and EN55014-2:1997/A2:2008. Every single transformer, at the end of its production cycle, is tested as reported on the table below.

The ignition transformer shall be used with a control unit.

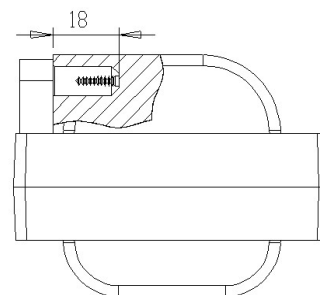
An high voltage symbol with yellow color filling has to be applied outside of the device where the transformer is mounted.

### RATED DATA

Primary Supply Voltage E [V]	<b>110 V</b>
Frequency [Hz]	<b>50/60 Hz</b>
Primary Current [A]	<b>3,8/3A A</b>
Apparent Power [VA]	<b>418/330 VA</b>
Secondary Voltage at open circuit RMS [kV] ±10%	<b>1x8 kV</b>
Secondary Peak Voltage at open circuit [kV]	<b>11,31 kV</b>
Secondary Current in short circuit RMS [mA] ±10%	<b>30 mA</b>
Duty Cycle	<b>25% on 4'</b>
Approvals	<b>CE</b>

### MECHANICAL DATA

External enclosure	<b>Epoxy thermosetting resin</b>
High Voltage output	<b>VIRAS</b>
High Voltage connections	<b>Screws</b>
Ambient Temperature - Protection	<b>Ta 35°C - IP 00</b>
Packaging	<b>10 pcs box</b>
Weight [kg]	<b>1,944 Kg</b>

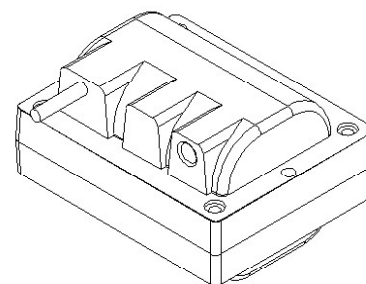
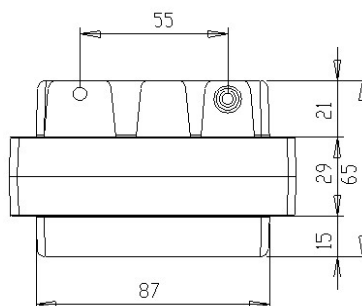
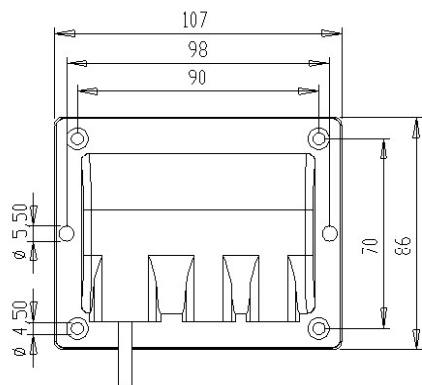


VIRAS

### PRIMARY CONNECTIONS

Low Voltage connection	<b>Cable</b>		
Actual cable L. [mm]	<b>380 mm</b>	Description	<b>SIL 3x0,50 3 END SPLICES TERMINALS</b>

### DIMENSIONS



Note

Date **23/05/2013**

**Paolo Comin**