

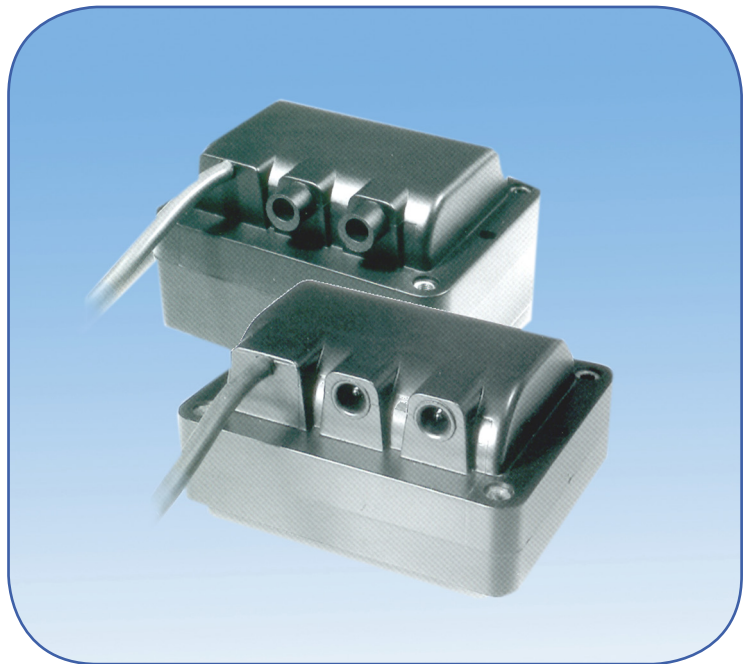
Ignition transformers for gas and oil burners

The conventional inductive ignition transformers TRG and TRS electronic transformers TRK are suitable for gas and oil burners.

These transformers are manufactured with highest quality materials in accordance with **CE** EN 61558/2/3 and EN 60730/2/5 product regulations and the instructions of VDE 0570 and SEV CI511.

The copper wire used for the secondary circuit winding is 180 °C H class, while the wire for the primary circuit winding is 200 °C H class.

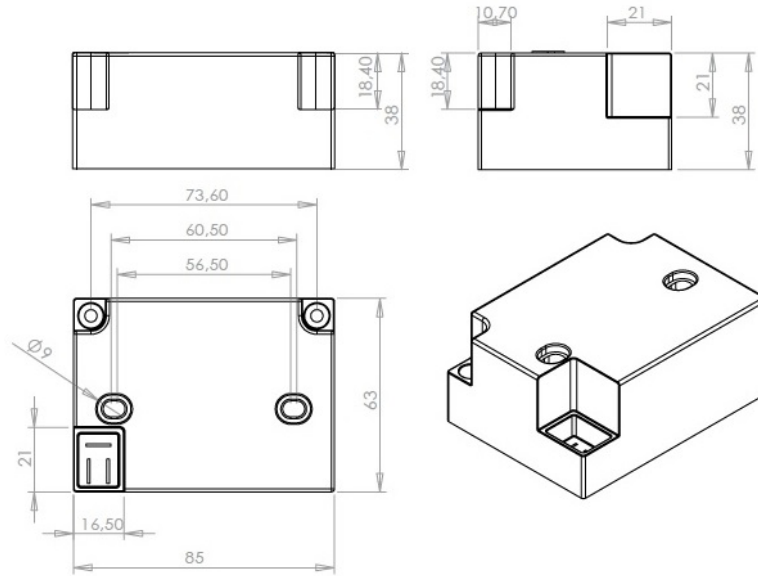
They are available in intermittent and continuous operation.



TECHNICAL FEATURES

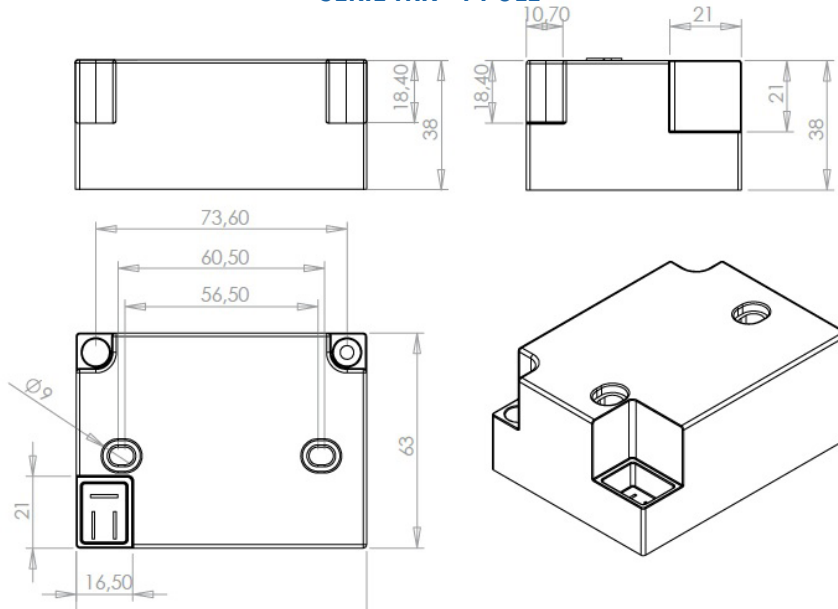
Windings	Class H, encapsulated with epoxy resin
Supply voltage	230V ac 50-60Hz
On request	220V, 240V, 115V ac 50-60 Hz at 50 or 60 Hz
On request	120V/60Hz with SPMAN plug Ø 4 mm with sleeve for US market
Body	Encapsulated with thermosetting epoxy resin
Standard outlets	Version VIRAS with flush self-tapping screw (13 mm deep).
Approval	CE; main models are approved by VDE and SEV
Supply voltage cable	Standard 3x 0.75 mm ² total length 440 mm [380 mm usable]
Weight	TRS 1,90 kg. each - TRG 2,80 kg. each

SERIES TRK - 2 POLES



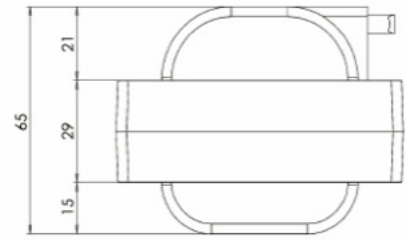
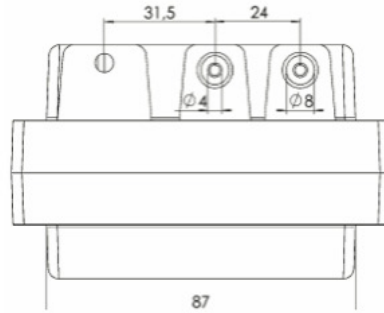
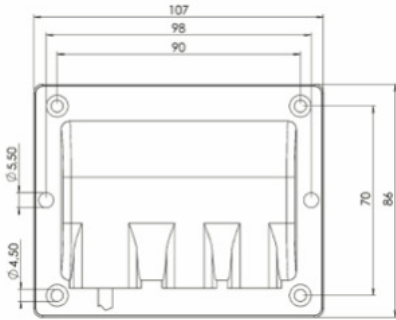
Operation	ED % min.	kV outlet	mA	No. outlet	Volt	Model
Intermittent	33% 3 min.	10	35	2	220-240 V	TRK2-35
Intermittent	33% 3 min.	10	40	2	220-240 V	TRK2-40VD
Intermittent	33% 3 min.	12	30	2	120 V	TRK2-30UVD
Continuos	100%	14	20	2	220-240 V	TRK1-20CVD
Continuos	100%	12	30	2	230 V	TRK1-30CVD
Continuos	100%	14	20	2	120 V	TRK1-20CUVD

SERIE TRK - 1 POLE



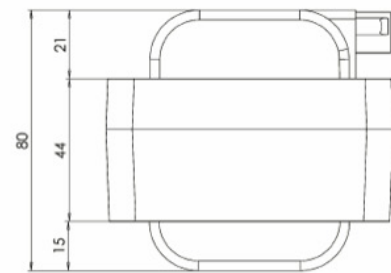
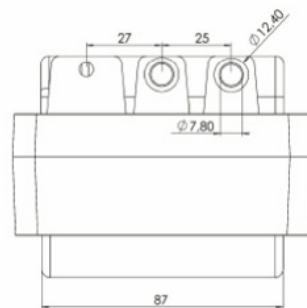
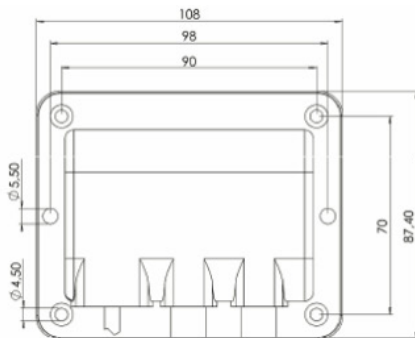
Operation	ED % min.	kV outlet	mA	No. outlet	Volt	Model
Intermittent	33% 3 min.	15	30	1	220-240 V	TRK2-30PVD
Intermittent	33% 3 min.	15	30	1	220-240 V	TRK2-30PFVD
Intermittent	33% 3 min.	15	40	1	220-240 V	TRK2-40PVD
Intermittent	33% 3 min.	15	36	1	120 V	TRK2-30PUVD
Continuos	100%	15	20	1	220-240 V	TRK1-20PCVD
Continuos	100%	15	30	1	220-240 V	TRK1-30PCVD
Continuos	100%	15	20	1	120 V	TRK1-20PCUVD

SERIES TRS - STANDARD VERSION



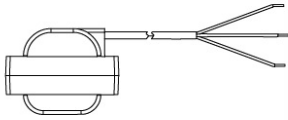










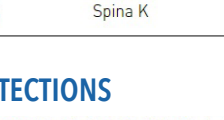

Operation	ED % min.	kV Outlet	mA	No. outlets	Model
Intermit	AB 25% 4 min.	8	20	2	TRS 820
Intermit	AB 25% 4 min.	8	20	1	TRS 820 P
Intermit	AB 33% 3 min.	8	20	1	TRS 820 PISO Monoelect. Insul.
Intermit	AB 25% 4 min.	8	20	1	TRS 820 PUSA [120V/60Hz]
Intermit	AB 25% 4 min.	8	30	1	TRS 830 P
Intermit	AB 25% 4 min.	10	20	2	TRS 1020
Intermit	AB 25% 4 min.	10	30	2	TRS 1030
Intermit	AB 25% 4 min.	12	20	2	TRS 1220
Continuous	DB 100%	6	10	1	TRS 610 PC
Continuous	DB 100%	8	18	2	TRS 818 C
Continuous	DB 100%	8	18	1	TRS 818 PC

SERIES TRG - BIG SIZE VERSION



Operation	ED % min.	kV Outlet	mA	No. outlets	Model
Intermit	AB 25% 4 min.	8	35	1	TRG 835 P
Intermit	AB 25% 4 min.	10	35	2	TRG 1035
Intermit	AB 33% 3 min.	10	35	1	TRG 1035 P
Intermit	AB 25% 4 min.	10	35	2	TRG 1035 USA (120V/60Hz)
Intermit	AB 25% 4 min.	12	30	2	TRG 1230
Continuous	DB 100%	6	23	1	TRG 623 PCUSA (120V/60Hz)
Continuous	DB 100%	8	20	1	TRG 820 PC
Continuous	DB 100%	10	15	2	TRG 1015 C
Continuous	DB 100%	10	20	2	TRG 1020 C
Continuous	DB 100%	10	20	1	TRG 1020 PC

PRIMARY CONNECTION

				
Standard buried cable	Cavo annegato standard	Plug A	Spina A	Plug B
				
		Plug C	Spina C	
				
Plug D	Spina D	Plug T	Spina T	
				
		Plug K	Spina K	

CONNECTIONS AND PROTECTIONS

			
Connector for faston 2,8x0,8mm for cable Ø5,2mm. Code: 11PC112031	Bronze phosphor connector Ø4mm for cable Ø5,2mm Code: 11PC112004	Bronze phosphor connector Ø4mm for cable Ø7mm Code: 11PC112010	Bronze phosphor connector Ø6,3mm for cable Ø5,2/7mm straight without spring Code: 11PC112013
			
Bronze phosphor connector Ø6,3mm for cable Ø5,2/7mm straight with spring Code: 11PC112011	Bronze phosphor connector Ø6,3mm for cable Ø5,2/7mm 90° with spring Code: 11PC112018	PVC overmolded protection for Ø4mm plug for cable Ø5,2/7mm Code: 17GO170000	PVC overmolded protection for Ø4mm 90° plug for cable Ø5,2/7mm Code: 17GOST000K
			
Silicone Cap L=35mm for cable Ø5,2/7mm Used with inductive transformer VIMAN and Code: 17GO172601	Type A PBT straight terminal for cables Ø5,2/7mm Code: 04PL041442	Silicone cap for Ø6,3mm 90° plug connector for cables Ø5,2/7mm Code: 17GO172605	Coproterminals in gomma siliconica per connettore a 90° Ø6,3mm per cavi Ø5,2/7mm Code: 17GO172604
			
SPMAN outlets. Cappuccio in gomma naturale o silicone per cavi Ø5,2/7mm usati nei trasformatori induttivi con uscite VIMAN o SPMAN	Copperterminals tipo A in PBT dritto per cavi Ø5,2/7mm	Silicone cap for Ø4mm 90° plug connector for cables Ø5,2/7mm	Copperterminals in gomma siliconica per connettore a 90° Ø4mm per cavi Ø5,2/7mm

HIGH VOLTAGE CABLES

			
Silicone/carbon fibre cable 1x1 Ø7 Resistive cable 10 kOhm/m Cable Ø7 mm Code: 09CA091868	Silicone/carbon fibre cable 1x1 Ø5,2 mm Resistive cable 10 kOhm/m Cable Ø5,2 mm Code: 09CA091869	Silicone/copper cable 1x1 Ø7 mm Tear-resistant silicone cable, insulation 20kV EI 2 -50 +180°C Sold in lengths or by meter Code: 09CA091804M	Silicone/copper cable 1x1 Ø4,7 mm Tear-resistant silicone cable, insulation 10kV EI 2 -60 +180°C Sold in lengths or by meter Code: 09CA091807
			
Cavo di alta tensione in silicone Ø7 con nucleo resistivo in fibra di carbonio R 10kohm/mt.	Cavo di alta tensione in silicone Ø5,2 con nucleo resistivo in fibra di carbonio R 10kohm/mt.	Cavo di alta tensione in silicone Ø7 con nucleo in rame 1x1 Silicone antistrappo con isolamento 20kV EI 2 -60 +180°C Venduto a spezzoni o a metro	Cavo di alta tensione in silicone Ø4,7 con nucleo in rame 1x1 Cavo in silicone antistrappo isolamento 10kV EI 2 -60 +180°C Venduto a spezzoni o a metro

The data is subject to change without notice.

form 181016